

## OmniCure® S1500 Pro

### Leap into the future of UV Curing

The OmniCure® S1500 Pro, the latest in the S-series, excels in high-throughput UV adhesive curing for micro-electronics, opto-electronics, and many other applications. The system features Intelli-Lamp® 2.0 for extended lamp life and optimal performance, along with user-interchangeable filters, StepCure 2.0 for customizable curing profiles, USB/SD connectivity, and an intuitive LCD touch screen.



# OmniCure S1500 Pro

## Features



### Intelli-Lamp® 2.0 Technology

Maximizes lamp life by monitoring and adjusting system parameters based on lamp temperature, tracks operation hours, and prevents hot strikes. 2000 hours lamp life guaranteed.



### Backward Compatible

Same 200W Lamp with identical spectrum and optical power as the original S2000/S1500. Identical filter availability, optical focal point and light guide compatibility. Same command set for automated setups. Available PLC adapter for drop-in replacement into existing S1500 set-ups.



### 4.3" High-resolution LCD Touch Screen Display

Easy access and navigation of system functionalities.



### Step-Cure® 2.0

Program multi-phase cure profiles for precise control over the curing process directly from the system with a simple user-friendly interface.



### PLC Control

Programmable PLC output channel. Simplify and lower the cost of automating assembly lines.



### SD Card and USB Support

Read/ Write system settings, Cure profiles, Flight recorder system log. Firmware field upgrades.



### NFC (Near Field Communication)

Enables advanced process control with NFC-enabled keycards. security features such as clearing faults, locking and unlocking system parameters and advanced cure process inputs all through a tap of the Admin or Supervisor keycards.



### Increased Customizability

Versatile for academic, development, or lab use, the OmniCure S1500 Pro swiftly adapts to various optical filters or lamp types. Automatic detection adjusts parameters for the chosen configuration. Pick from 6 optical filters and 2 lamp types.



### Dedicated Exhaust Duct Attachment Hardware

Cleanroom compatible.





### Optical Filter

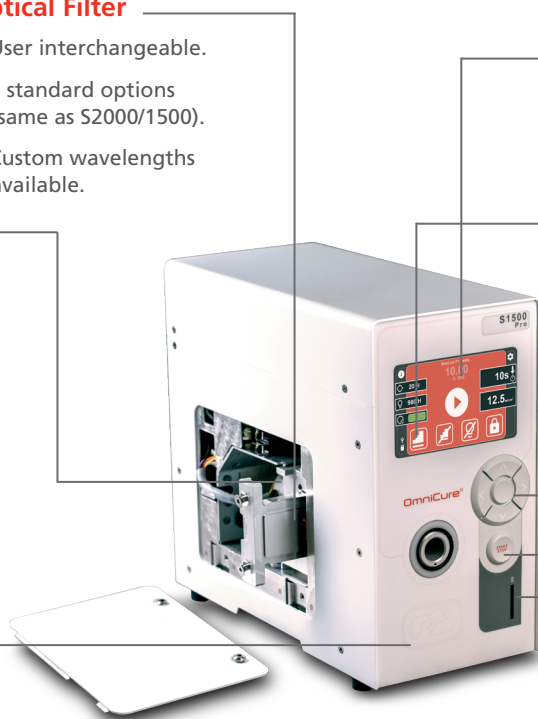
- User interchangeable.
- 6 standard options (same as S2000/1500).
- Custom wavelengths available.

### Lamp Module

- Identical optical power and optical spectrum to the original S1500 for upgrade to S1500 Pro without process changes.
- New Intelli-Lamp 2.0 chip (enhanced security and active monitoring).
- Lamp options: standard, surface cure.

### Intelli-Tap 2.0 Technology

- NFC cards enable system lock/unlock, trigger StepCure.



### 4.3" Touchscreen Interface

- 4.3" LCD touch screen display enables deep and intuitive system control.

### StepCure 2.0

- Advanced curing process design.

### Navigation pad with dedicated Start/ Stop Button

- Alternate input device enhances usability.

### SD Card Slot

- Save/ Load curing profiles, firmware updates, system logs.

## System Packages

|            |  |
|------------|--|
| 010-00578R | OmniCure S1500 Pro - 320-500nm<br>- Includes 012-68000R Standard lamp and 320-500nm optical bandpass filter cartridge. |
| 010-00517R | OmniCure S1500 Pro - System Only<br>- Lamp and optical bandpass filter not included, must be ordered separately.       |

## Accessories

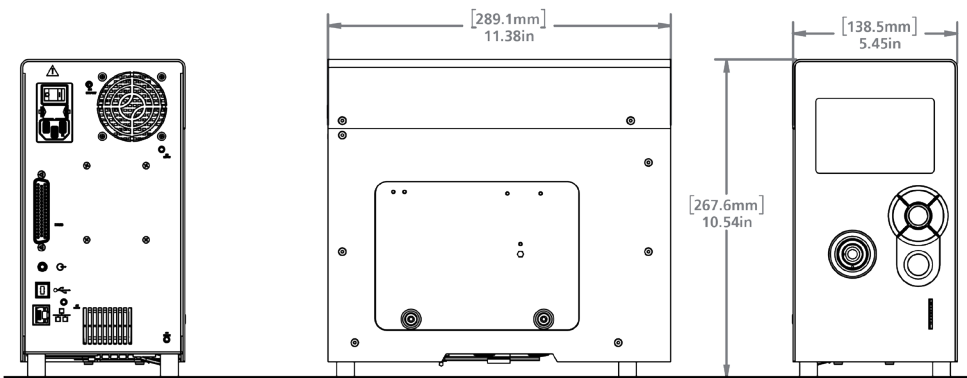
|            |                                 |
|------------|---------------------------------|
| 019-00387R | Filter 400-500 nm               |
| 019-00388R | Filter 365 nm                   |
| 019-00389R | Filter 320-390 nm               |
| 019-00390R | Filter 250-450 nm               |
| 019-00391R | Filter 320-500 nm               |
| 019-00392R | Blank Filter                    |
| 019-00406R | Intelli-Tap Supervisor NFC card |
| 019-00407R | Intelli-Tap Admin NFC card      |
| 012-68000R | Standard Lamp Module            |
| 012-69000R | Lamp Module - Surface Cure      |
| 010-00208  | OmniCure R2000 Radiometer       |

For a complete list of available light guides and other accessories refer to the OmniCure product catalog.

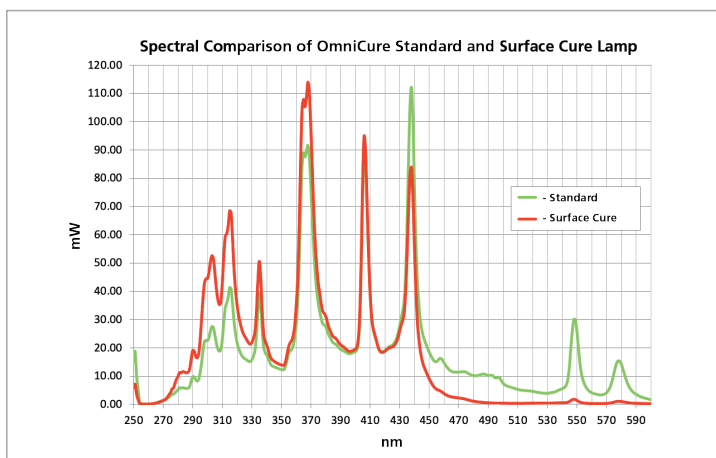
## Technical Specifications – OmniCure S1500 Pro

|                      |                             |  |
|----------------------|-----------------------------|--|
| <b>ELECTRICAL</b>    | Rated Input Voltage         | 100-240 VAC, 50/60 Hz  |
|                      | Current                     | 3.5A Max at 120 VAC<br>2.0A Max at 240 VAC   |
| <b>OPTICAL</b>       | Light Source                | High Pressure 200 Watt Mercury Vapor Short Arc   |
|                      | Lamp Lifetime               | 3500-4000 Hours typical  |
|                      | Optical Output              | Up to 37 W/cm <sup>2</sup>   |
|                      | Filters                     | Blank filter, 250-400 nm, 320-390 nm, 320-500 nm, 365nm, 400-500 nm, Custom filters available on request |
|                      | Warmup                      | 4 minutes (minimum)  |
| <b>COMMUNICATION</b> | Control                     | USB, Phono connector for foot switch, DB50 port for PLC, NFC port  |
|                      | Data Storage/Transfer       | SD Card (StepCure profiles, system log, firmware updates)  |
| <b>PHYSICAL</b>      | Size (H x W x D)            | 2268 x 139 x 289 mm (10.54 x 5.45 x 11.38 in)  |
|                      | Weight                      | 5 Kg (11 Lbs)  |
|                      | Rated Operating Temperature | 15°C to 40°C   |
| <b>WARRANTY</b>      | System                      | 1 Year   |
|                      | Lamp                        | 2000 Hours   |

## System Layout and Dimensions



## Optical Output Profiles



For Scandinavia and the Baltics sales and support, please contact EFSSEN UV & EB TECHNOLOGY. Skovlytoften 33 | DK-2840 Holte  
efsen@efsen.dk | phone: +45 45650260

**EFSEN**  
UV & EB TECHNOLOGY

**EXCELITAS**  
TECHNOLOGIES

www.excelitas.com  
omnicure@excelitas.com

2260 Argentia Road  
Mississauga, Ontario  
L5N 6H7 CANADA

Telephone: +1 905 821-2600  
Toll Free (USA and CAN): +1 800 668-8752  
Fax: +1 905 821-2055

For a complete listing of our global offices, visit [www.excelitas.com/locations](http://www.excelitas.com/locations)

© 2024 Excelitas Canada Inc. OmniCure®, StepCure® and Intelli-Lamp® are registered trademarks and Intelli-Tap™ is a trademark of Excelitas Canada Inc. The Excelitas logo and design are registered trademarks of Excelitas Technologies Corp. All other trademarks are the property of their respective owners, and neither Excelitas Technologies Corp., its affiliates or subsidiaries, or any of their respective products, are endorsed or sponsored by or affiliated in any way whatsoever with those organizations whose trademarks and/or logos may be mentioned herein for reference purposes. Excelitas Canada Inc. reserves the right to change this document at any time without notice and disclaims liability for editorial, pictorial or typographical errors.